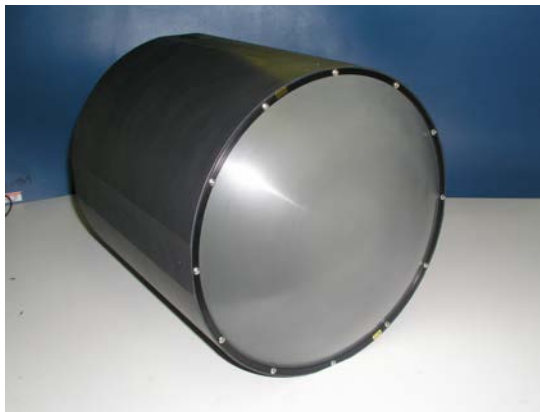


18-40 GHz GAUSSIAN OPTIC ANTENNA (GOA)



FEATURES:

- High efficiency/no blockage
- High gain 12" aperture
- Linear and dual-linear configurations
- High polarization isolation (dual-pol version)
- 2.92 mm connector(s)

DESCRIPTION

These Gaussian Optic Antennas provide superior efficiency due to low blockage and low-loss optics. The dual-polarization versions have excellent cross-polarization isolation using a grid polarizer and two linear polarized feeds.

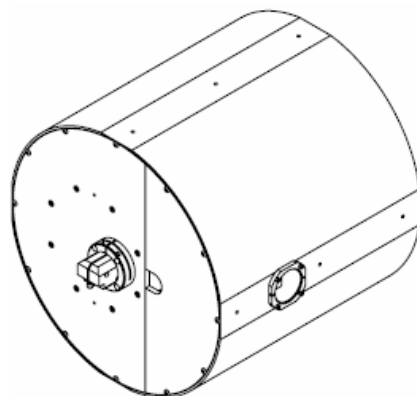
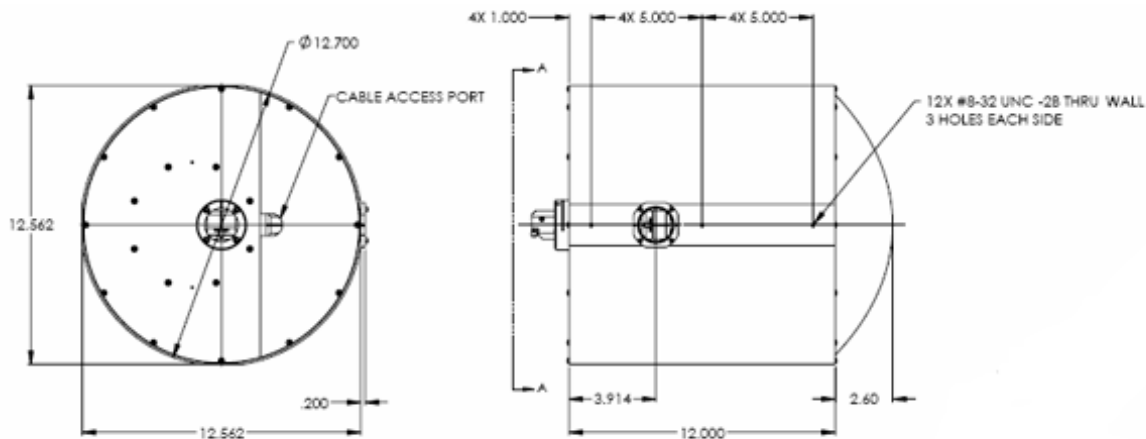
ANTENNA SPECIFICATIONS

Parameter	Specification		
Frequency Range	18-40 GHz		
Polarization Isolation, (Dual Pol Version) typ.	40 dB		
Effective Aperture	12"		
Active Frequency (GHz)	18	29	40
Gain, typ. (dBi)	32	35	37
Beamwidth, typ. (deg)	3.4	2.3	1.7

HOW TO ORDER

Specify Model Number GOA-KK-AAAABBC
AAAA = Frequency Range 1840 – 18 – 40 GHz
BB = Effective Aperture 12 – 12" diameter
C = Polarization S – Single linear D – Dual linear

OUTLINE DRAWING



REFERENCE ONLY