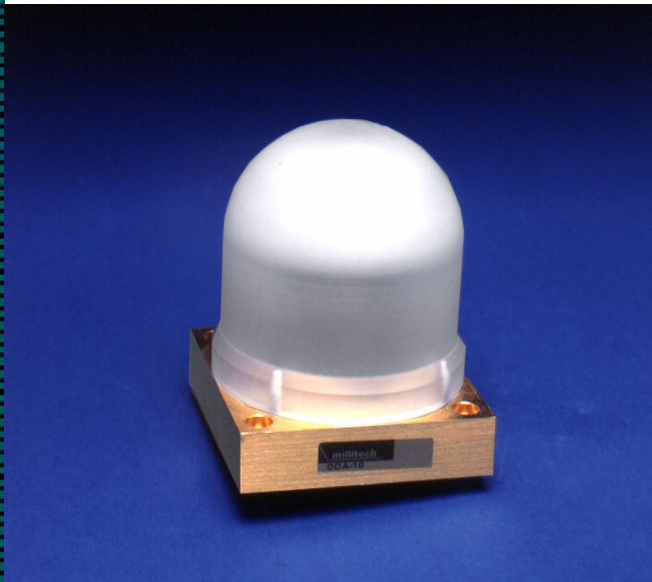


SERIES ODA

OMNIDIRECTIONAL ANTENNA



FEATURES:

- Full azimuth coverage
- Vertical polarization
- Includes protective radome

APPLICATIONS:

- Communication links
- EW/ELINT
- IFF transponders

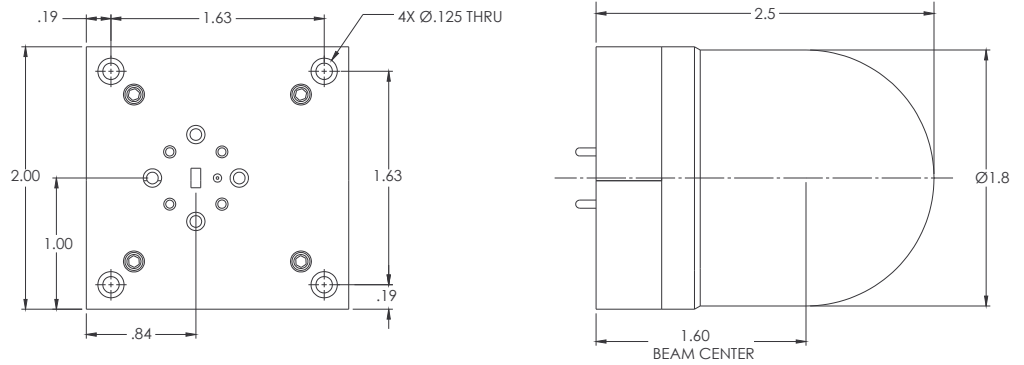
DESCRIPTION

The Millitech series ODA omnidirectional antenna contains either a half wave or quarter wave dipole and an integral radome. It provides complete 360° coverage in the azimuth, and operates over a 5% bandwidth around the center frequency in the 18 to 140 GHz range.

Interface to the antenna is through an appropriate waveguide. The beam peak in elevation is normally centered slightly above the horizon with a gain of approximately 3 dBi.

Series ODA antennas are ideally suited for many critical applications such as IFF transponders and EW/ESM receivers requiring omnidirectional coverage. The antenna also incorporates a compact protective radome, which can be designed to provide higher gain if needed.

OUTLINE DRAWINGS



HOW TO ORDER

Specify Model Number ODA-XX-AA000
XX = Waveguide Band WR – number (WR-28 through WR-10 only)
AA = Center Frequency (in GHz) please specify